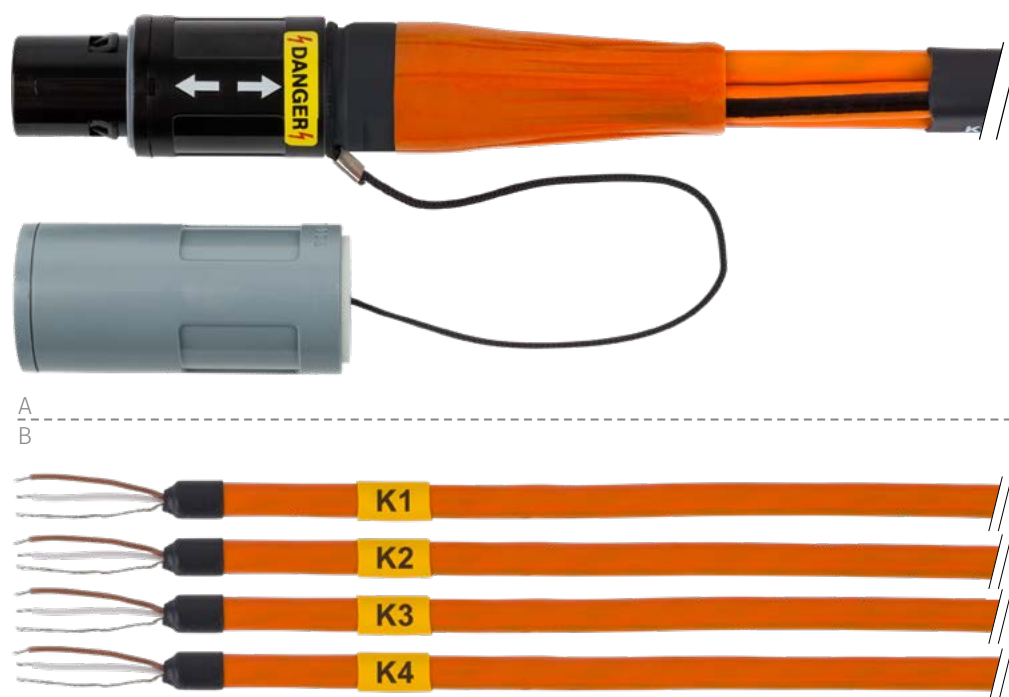




K903

SC, R2P 8p, open

Single channel connection cable between an HV analog measurement module and four sensors with measurement voltages up to 90 V



Description

Single channel connection cable between an HV analog measurement module and four sensors (without sensor supply). Shielding per channel for suppressing interferences.

Each cable is isolation tested according to EN 61010-1:2010 before delivery.

Technical data


Diameter	4 × 4.6 mm
Strip lengths	
Sheath	22 mm
Open cable end	2 mm (tinned)
Operating temperature range	-40 °C to +125 °C, pressure resistance until about +80 °C


Connectors

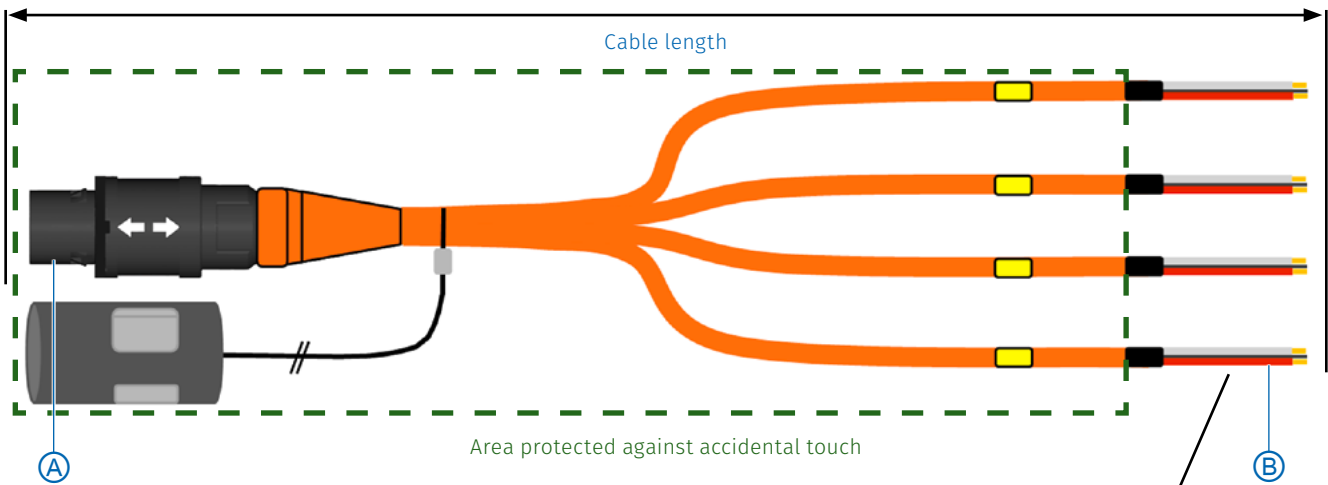
A Plug LEMO Redel 2P 8-pole code B
B 4 × open cable end, 2 wires + shield each

Variants

Article number	Cable number	Length
ART1423806	K903-0200	2 m

NOTE!	
	<p>Because cables are often exposed to chafing on bodywork parts, this cable incorporates a visual safety concept.</p> <ul style="list-style-type: none"> ▶ The orange outer sheath provides high mechanical and electrical safety. ▶ If the underlying blue intermediate sheath becomes visible, this indicates that the cable is no longer operationally safe.

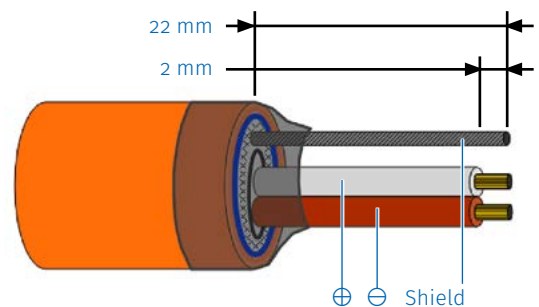
WARNING!	
	<p>The open cable end is not protected against accidental touch. Touching the open cable end or a damaged cable sheath could result in life-threatening electric shocks.</p> <p>⚠ Do not touch cable end or damaged cable.</p>



Pinning

Connector A		Cable end B	
Pin	Signal	Wire Color	
1	K1 +	white	
n. c.*	K1 _{Shield}	—	
2	K1 -	brown	
3	K2 +	white	
n. c.*	K2 _{Shield}	—	
4	K2 -	brown	
5	K3 +	white	
n. c.*	K3 _{Shield}	—	
6	K3 -	brown	
7	K4 +	white	
n. c.*	K4 _{Shield}	—	
8	K4 -	brown	

* not connected



CSM GmbH

Computer-Systeme-Messtechnik

Raiffeisenstr. 36, 70794 Filderstadt, Germany
 ☎ +49711-779640 ✉ info@csm.de
 www.csm.de

All trademarks mentioned are property of their respective owners. This document is subject to change without notice.

Copyright © 2018 CSM Computer-Systeme-Messtechnik GmbH

K903-xxxx_DS_0110_ENG

2018-11-08

Page 2/2